

NEW!

NOW AVAILABLE IN
55 AND 70MM HIGH

multi edge
FLEX

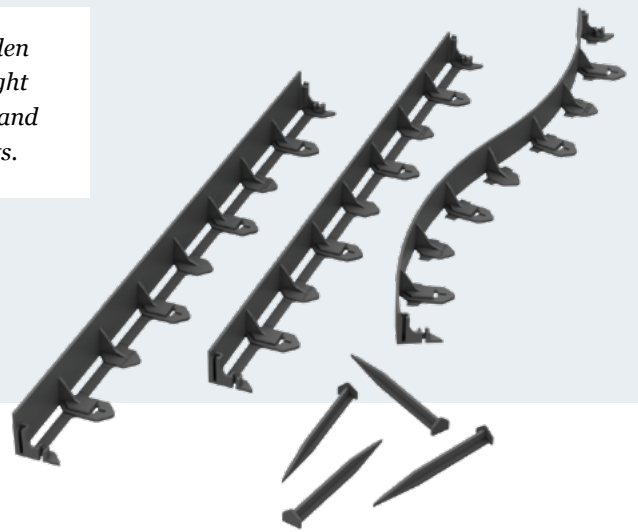
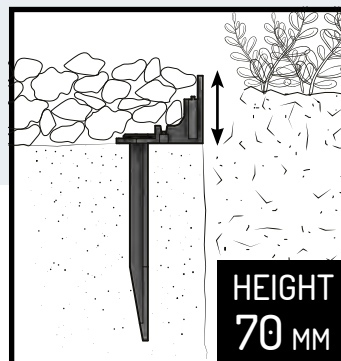
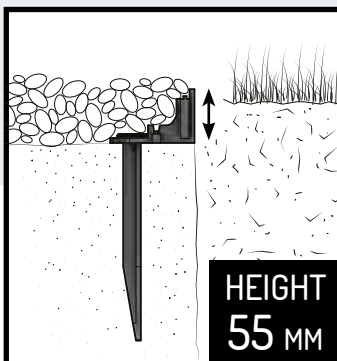
Quick and easy garden
edging for any contour!

Multi-Edge FLEX is a flexible edging made from recycled plastic. This is a simple way to keep the edges in your garden neat and tidy. The smart construction makes it easy to create both straight and curved contours. Whether it's for a plant border, lawn, gravel path or patio, Multi-Edge FLEX is an beneficial and very versatile solution.

- ✔ For straight and curved contours
- ✔ Stable and flexible
- ✔ Very versatile
- ✔ Available in two heights

One product – so many uses

Multi-Edge FLEX has an unique construction unlike any other garden edging products. This is what makes it possible to create both straight edges and curved winding contours. Depending on the application and layer thickness of the ground cover you can choose from two heights.



SMART GARDEN EDGING SOLUTIONS

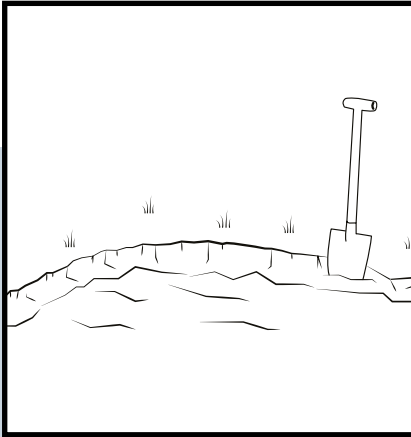
multi edge

Installation instructions



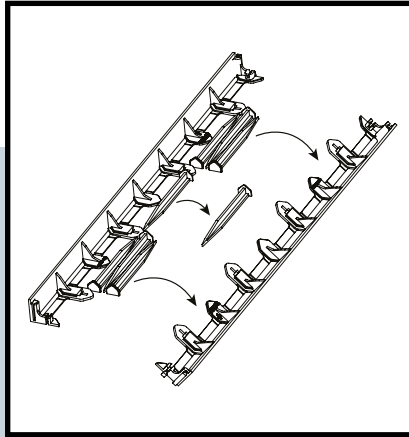
Keep out of reach of children.
Wearing gloves is recommended.

1. Preparing



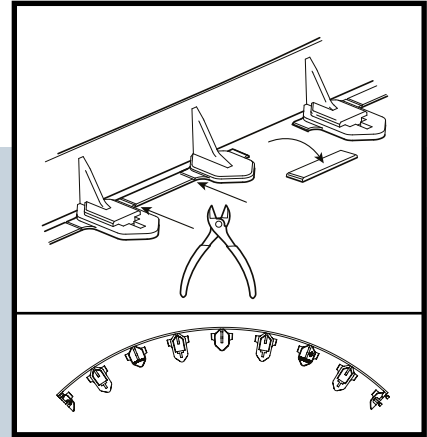
Indicate your desired contour and level the soil. Use a spade to cut a lawn edging.

2. Separating



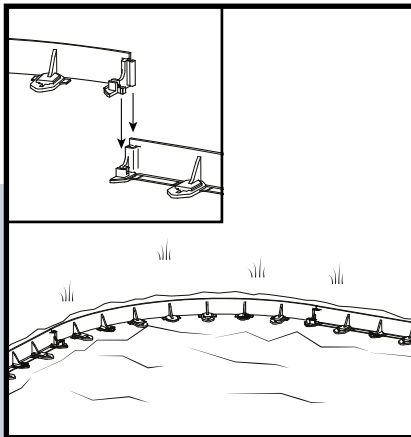
Break the edging sections and pins apart.

3. Reshaping



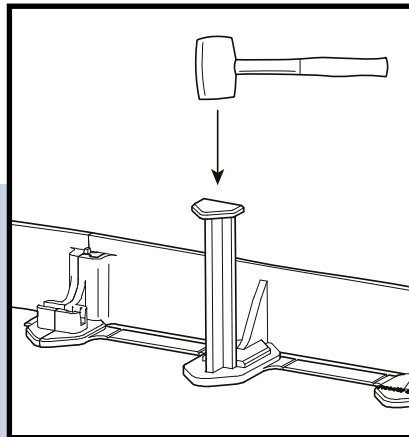
Use a wire cutter to remove the connecting pieces if making a curved contour.

4. Inserting



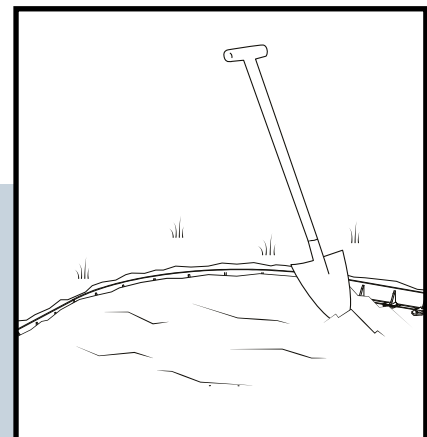
Insert the edging material in the right place. Slide the ends of the edging sections into each other to connect them. Any surplus length can be removed with a handsaw for wood.

5. Pegs

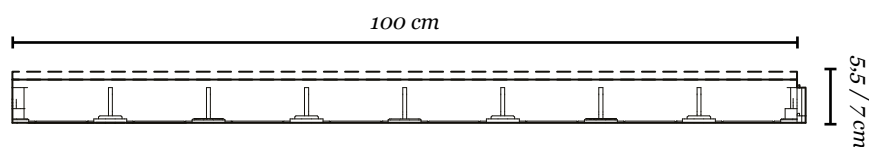


Use a hammer to tap the pegs carefully into the soil. Use all the pegs supplied to ensure the stability of the edging material.

6. Finishing



Finish by filling the gap next to the edging sections with the desired material. Add as much material as it takes to cover the edging sections but leave a few millimetres protruding above the surface.



Each 1-metre edging section is supplied with 4 pegs.



multi edge
FLEX