

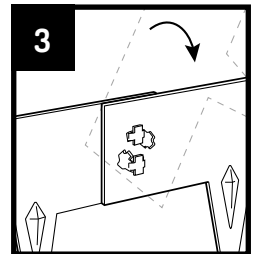
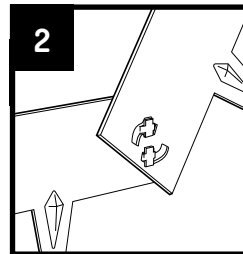
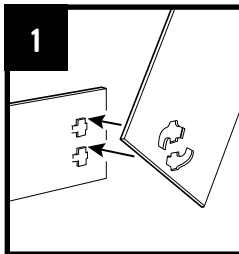
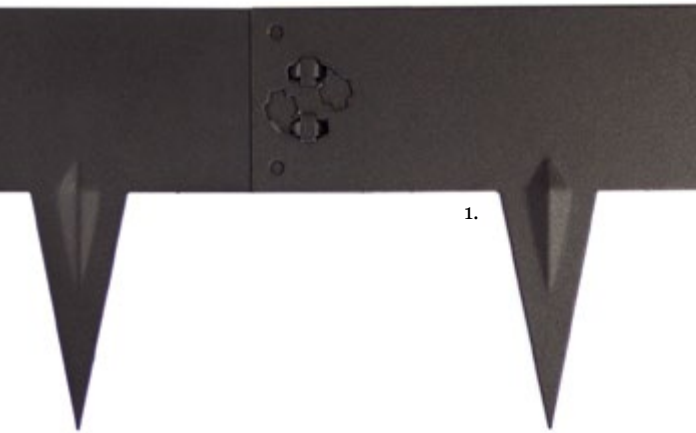
# Stylish edges in your garden

*Multi-Edge lawn edging makes it easy to create stylish edges with any desired contour, whether you want a winding gravel garden path or neat lawn edges along a border. A choice of 5 finishes means that you can always find just the right one for the look you want.*

- ✔ High quality (1.5 mm thick steel)
- ✔ Long lifespan
- ✔ Recyclable
- ✔ Easy to install without pins or bolts

## Quick to install

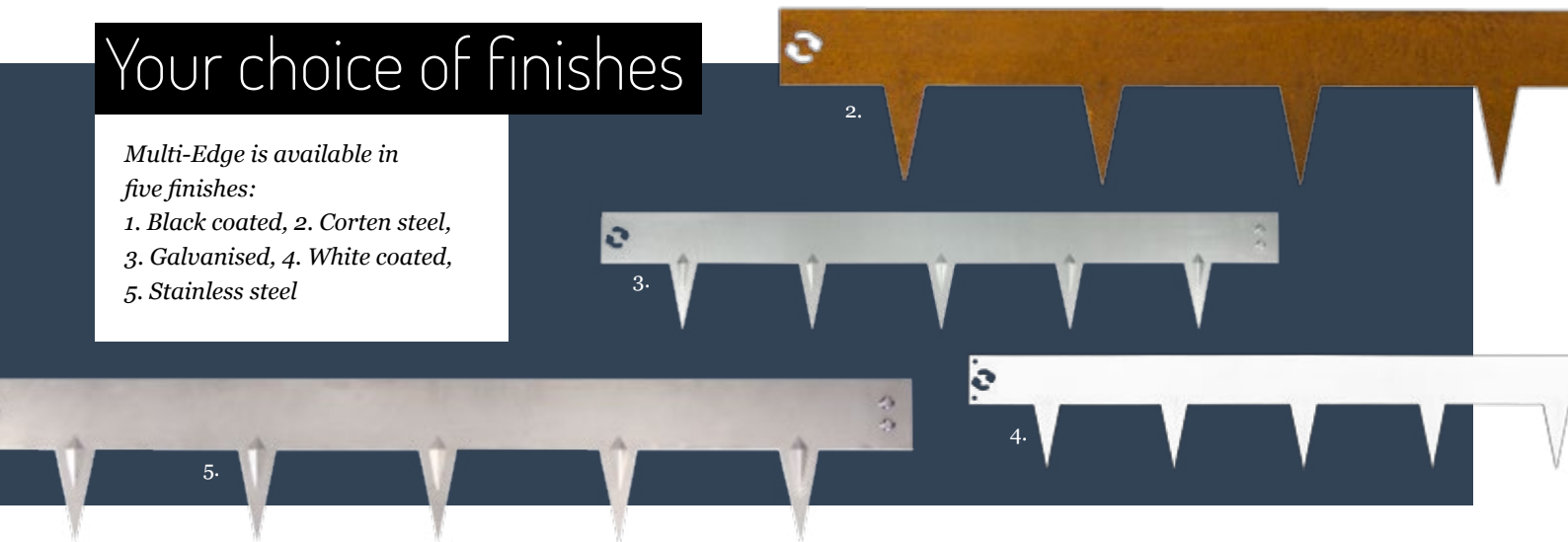
*The smart interconnecting system makes it easy to connect the edging segments without the need for any special tools.*



## Your choice of finishes

*Multi-Edge is available in five finishes:*

1. Black coated
2. Corten steel
3. Galvanised
4. White coated
5. Stainless steel



SMART GARDEN EDGING SOLUTIONS

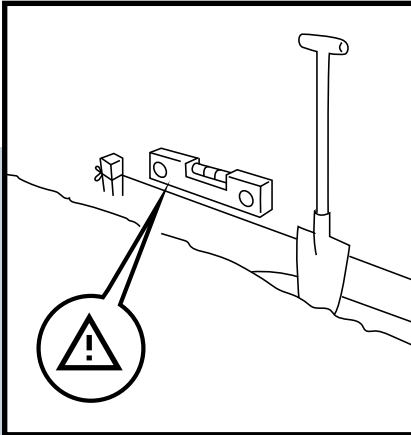
multi edge

# Installation instructions



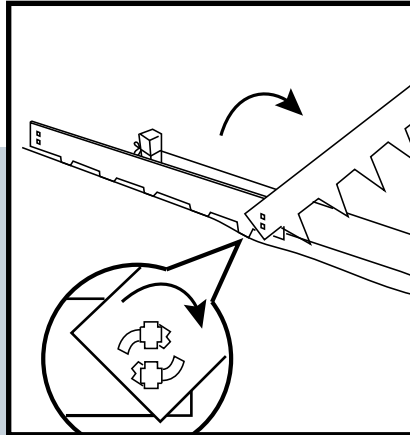
Keep out of reach of children.  
Wearing gloves is recommended.

## 1. Preparation



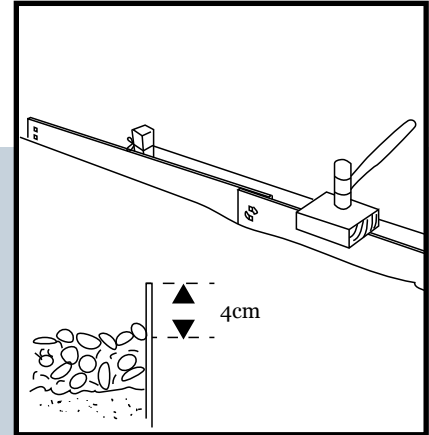
Mark out the desired contour (straight, curved, etc.) with twine and stakes. Dig a spade about 8 cm into the soil.

## 2. Placement



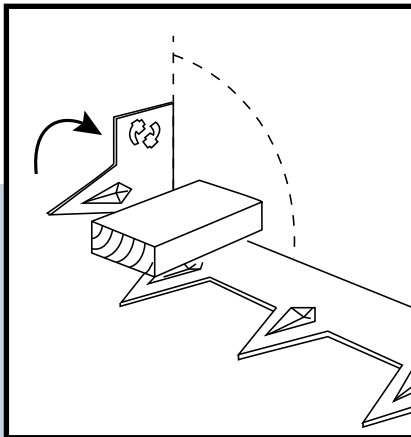
Insert the first segments loosely into the soil and connect the next segments one by one.

## 3. Determine desired height



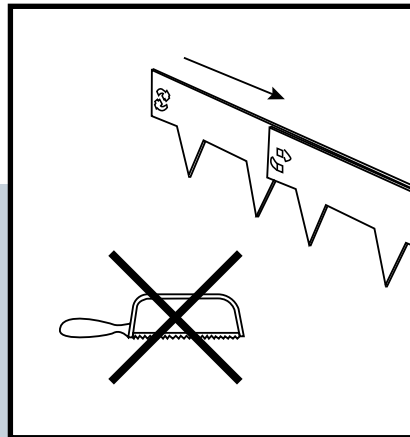
Tap the lawn edging segment gently down to the desired height of the border. For optimum stability, make sure that at least 4 cm is visible above the soil level.

## 4. Bending into shape



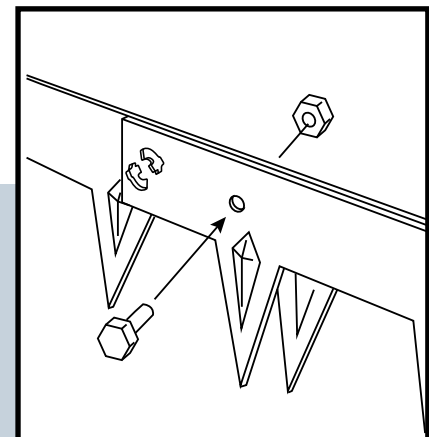
Use a workbench (if using a vice, use wooden blocks to prevent scratches) or a wooden block to bend the segments. Bend the segments by hand to create curved contours.

## 5. Excess length

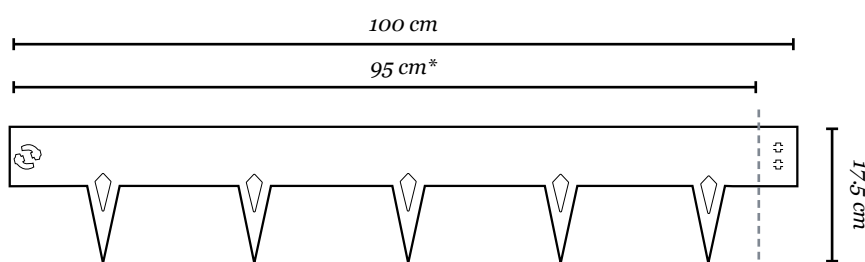


Sawing off excess length is not advisable. For optimum stability, let excess length overlap.

## 6. Securing into place



Another option is to secure overlapping segments by drilling a hole in them and securing them with a nut and bolt (of the same material as the lawn edging). For a coated finish, apply a primer to the materials to protect them from corrosion.



\*working length. To calculate how many segments you need for the total required length you have to edge, divide this length by 0.95.

**multi edge**

SMART GARDEN EDGING SOLUTIONS